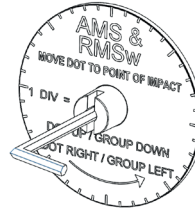




## AMSc INSTRUCTIONS QUICK GUIDE

**IMPORTANT!!**  
PLEASE ENSURE ALL FIREARMS ARE CLEAR AND  
SAFE BEFORE CONTINUING

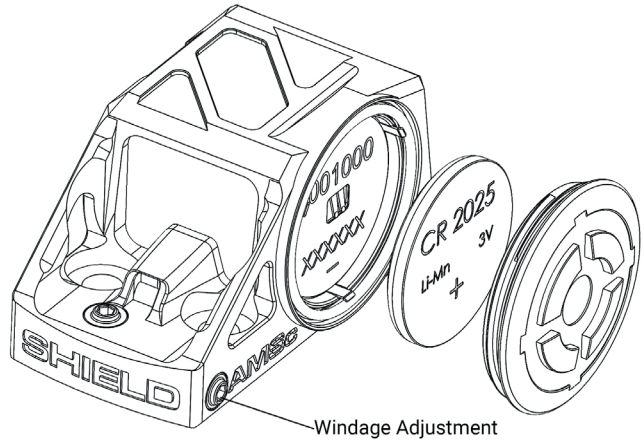
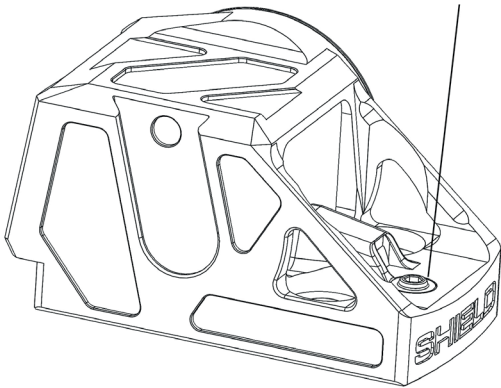


Insert Hex wrench in to  
mini dial for accurate  
windage and elevation  
adjustment

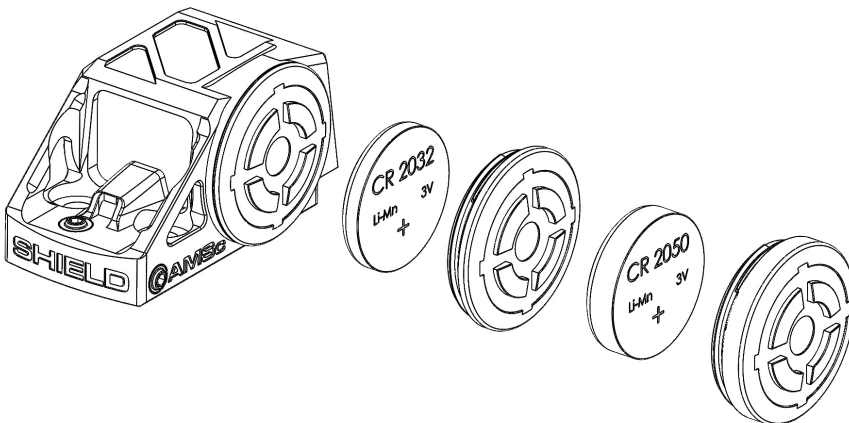
Elevation Adjustment:  
Clockwise rotation = Group Down  
Dot Up

Windage Adjustment:  
Clockwise rotation = Group Left  
Dot Right

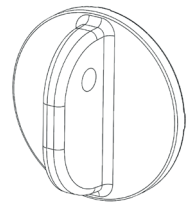
Elevation Adjustment



Windage Adjustment



Swap Battery Cap based on required battery size.



Use tool provided for easy  
removal and fitting of  
battery cap.

ENSURE THAT YOU KEEP TOOLS SAFE FOR FUTURE USE



## AMSc INSTRUCTIONS

Accessories:  
Included in pack

SHIELD AMSc Sight  
Minidial with 1.5 Hex Wrench (*for zeroing*)  
2025, 2032 & 2050 Battery Cap Covers  
Battery Removal Tool.  
CR2032 Battery  
AMS Cover  
1° shim  
2.5 Hex Wrench for mounting screws  
2 x Button head M4x8mm screws  
2 x Button head M4x10mm screws

General Care:

Battery Fitting: The AMS Sight uses a 3V Lithium battery type CR 2032 which under average use can last 1 to 2 years. Replacement is required when the intensity of the dot appears greatly diminished against a bright background.

### Warranty - SHIELD Products

Products designed and manufactured by Shield carry a Limited Lifetime warranty on materials and workmanship.

For more details on SHIELD's warranty please see our website [www.shieldsights.com/warranty](http://www.shieldsights.com/warranty)

### IMPORTANT NOTICE TO PURCHASER

The following is made in lieu of all warranties, expressed or implied, including the implied warranties of merchantability and fitness for purpose: Seller's and manufacturers only obligation shall be to replace such elements of the product proved to be defective. Before using, user shall determine the suitability of the product for its intended use, and user assumes all risk and liability whatsoever in connection there with.

NEITHER SELLER NOR MANUFACTURER SHALL BE LIABLE EITHER IN TORT OR IN CONTRACT FOR ANY LOSS OR DAMAGE, DIRECT, INCIDENTAL, OR CONSEQUENTIAL, ARISING OUT OF THE USE OR THE INABILITY TO USE THE PRODUCT.



For instructional videos on mounting, lens cleaning and changing the battery please visit our YouTube channel or our website. [www.youtube.com/c/ShieldSights](http://www.youtube.com/c/ShieldSights)

## IMPORTANT!!

PLEASE ENSURE ALL FIREARMS ARE CLEAR AND SAFE BEFORE CONTINUING

### Adjustment and Zeroing

Treat all guns as if they are always loaded.  
Never let the muzzle point at anything that you are not willing to destroy.  
Keep your finger off the trigger until your sights are on target and you have made the decision to shoot.  
Be sure of your target and what is behind it.

THE DOT IS ALWAYS ADJUSTED TOWARDS THE POINT OF IMPACT

Adjustment can be made to the windage and elevation screw using the Hex Wrench provided.

Move dot right by clockwise rotation of the windage adjustment screw, move dot left by counterclockwise rotation of same screw.  
Move dot up by clockwise rotation of the elevation adjustment screw, move dot down by anticlockwise rotation of same screw.

**DO NOT force adjustment in either direction.** Once resistance is felt please stop as failure to do so will damage the body.  
Remember - Always move dot towards the point of impact, if a grouping is high and right of the target, move the dot up and to the right to cover the position of the group.

### AMS Materials

Body: Aerospace grade hard anodised Aluminium  
Accessories: Snap on Cover, which protects the optic and prolongs battery life in day light

Technical data: Weight with battery - 0.85 oz (24.3g) Size - 1.65inch (42mm) long, 1 inch (26mm) wide and 1.35 inch (34mm High)

Battery type Lithium CR2032, dark storage battery life approx 3 years.

